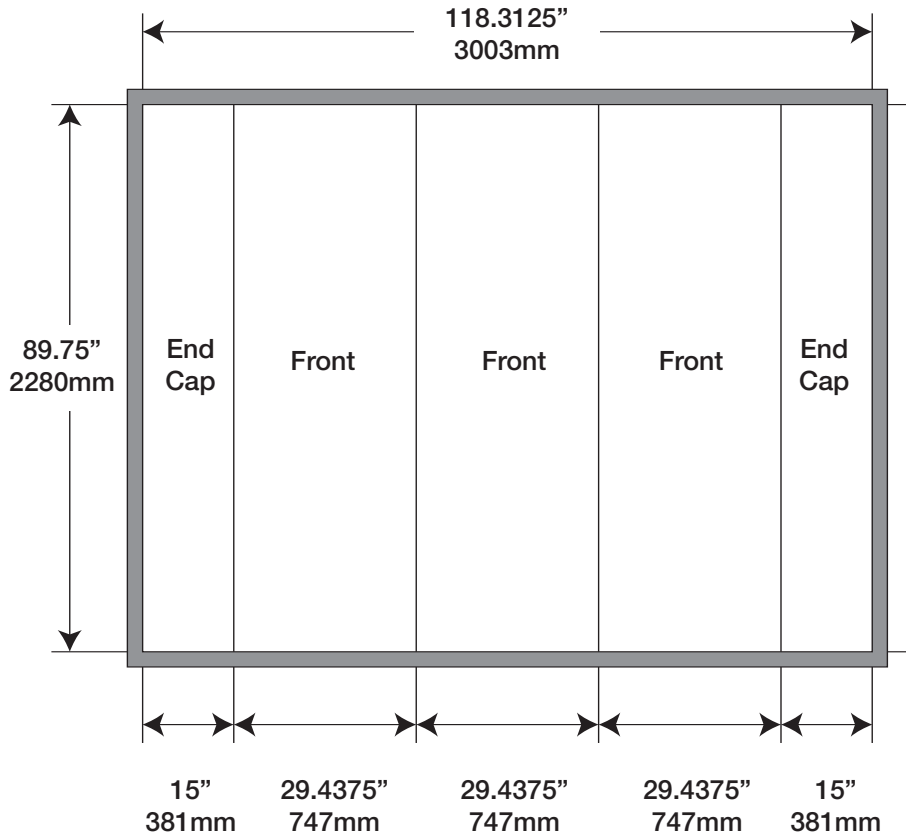


Mercury Kit

Classic Configuration



Minimum Document Size*

(with Bleed)

Width: 120.3125" x Height: 91.75"
3054mm x 2331mm

(50% with Bleed)

Width: 60.15625" x Height: 45.875"
1527mm x 1166mm

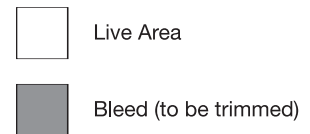
(25% with Bleed)

Width: 30.078125" x Height: 22.9375"
764mm x 583mm

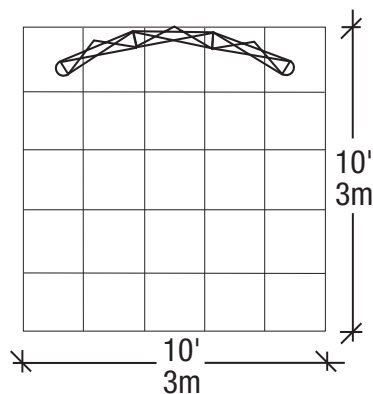
Finished Size

Width: 118.3125" x Height: 89.75"
3003mm x 2280mm

*Your document size should encompass the crops and bleed area.



FLOOR PLAN



ELEVATION

