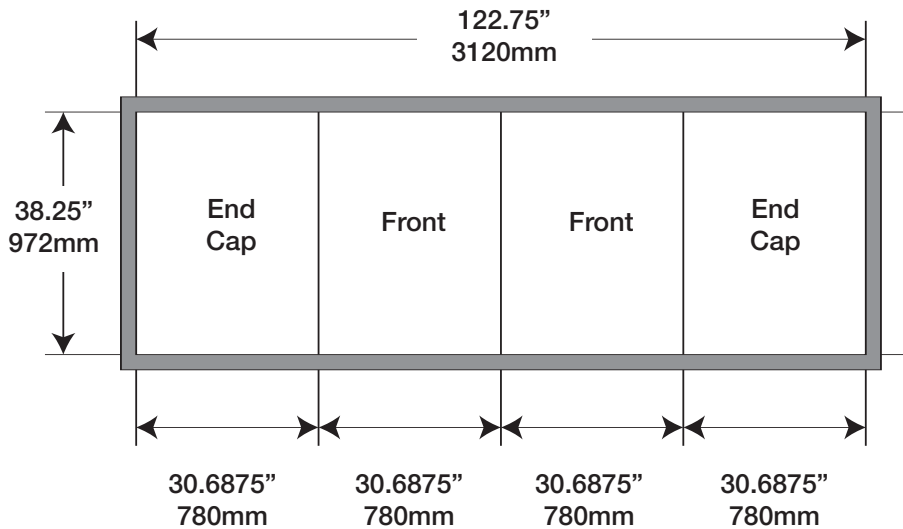


Virgo Kit

Plus Configuration



Minimum Document Size*

(with Bleed)

Width: 124.75" x Height: 40.25"
3171mm x 1022mm

(50% with Bleed)

Width: 62.375" x Height: 20.125"
1585.5mm x 511mm

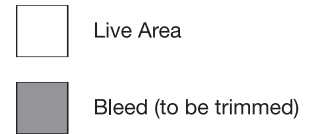
(25% with Bleed)

Width: 31.1875" x Height: 10.0625"
792.25mm x 255.5

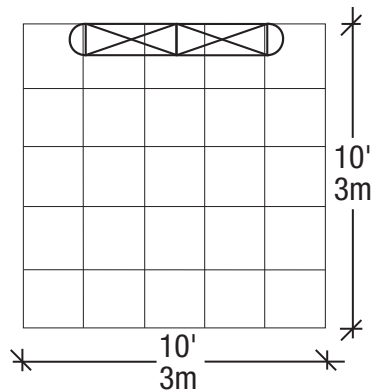
Finished Size

Width: 122.75" x Height: 38.25"
3120mm x 972mm

*Your document size should encompass the crops and bleed area.



FLOOR PLAN



ELEVATION

