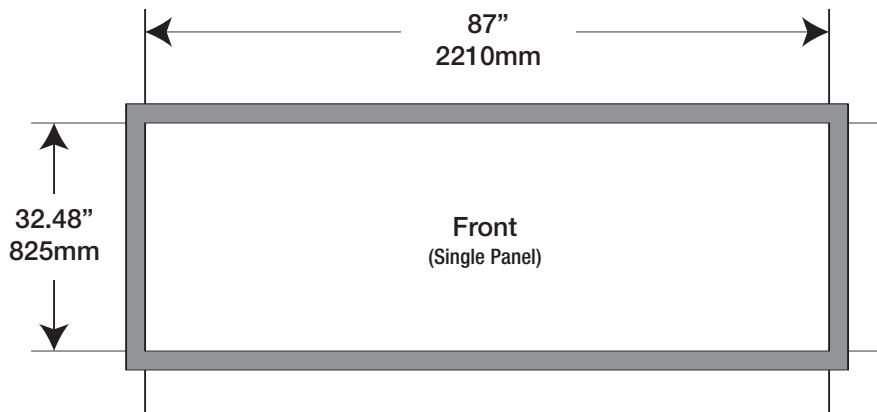


Capella Kit

Classic Configuration



Minimum Document Size*

(with Bleed)

Width: 89" x Height: 34.48"
2261mm x 767mm

(50% with Bleed)

Width: 44.5" x Height: 17.24"
1131mm x 383.5mm

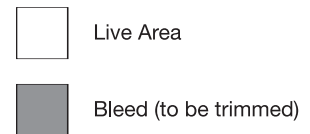
(25% with Bleed)

Width: 22.25" x Height: 8.62"
566mm x 191.75mm

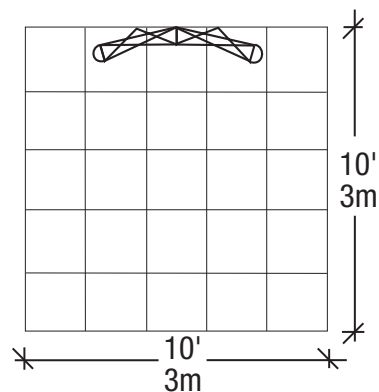
Finished Size

Width: 87" x Height: 32.4"
2210mm x 716mm

*Your document size should encompass the crops and bleed area.



FLOOR PLAN



ELEVATION

