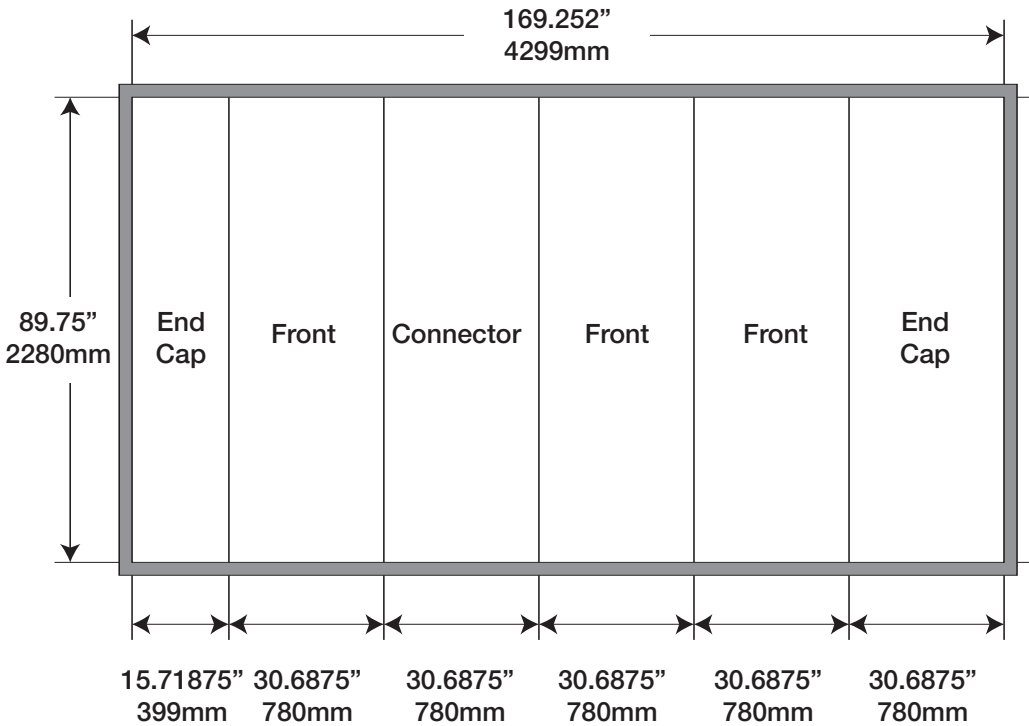


Gemini Kit

Plus Configuration



Minimum Document Size*

(with Bleed)
Width: 171.252" x Height: 91.75"
4350mm x 2331mm

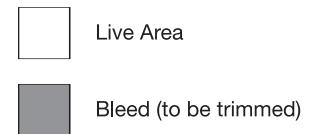
(50% with Bleed)
Width: 85.626" x Height: 45.875"
2175mm x 1166mm

(25% with Bleed)
Width: 42.813" x Height: 22.9375"
1087.5mm x 583mm

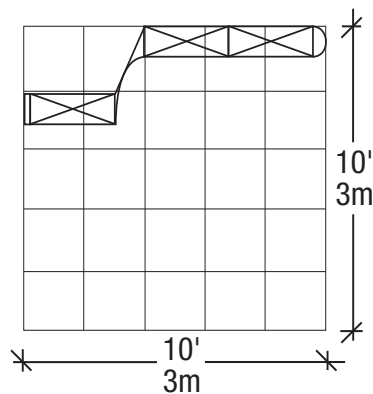
Finished Size

Width: 169.252" x Height: 89.75"
4299mm x 2280mm

*Your document size should encompass the crops and bleed area.



FLOOR PLAN



ELEVATION

