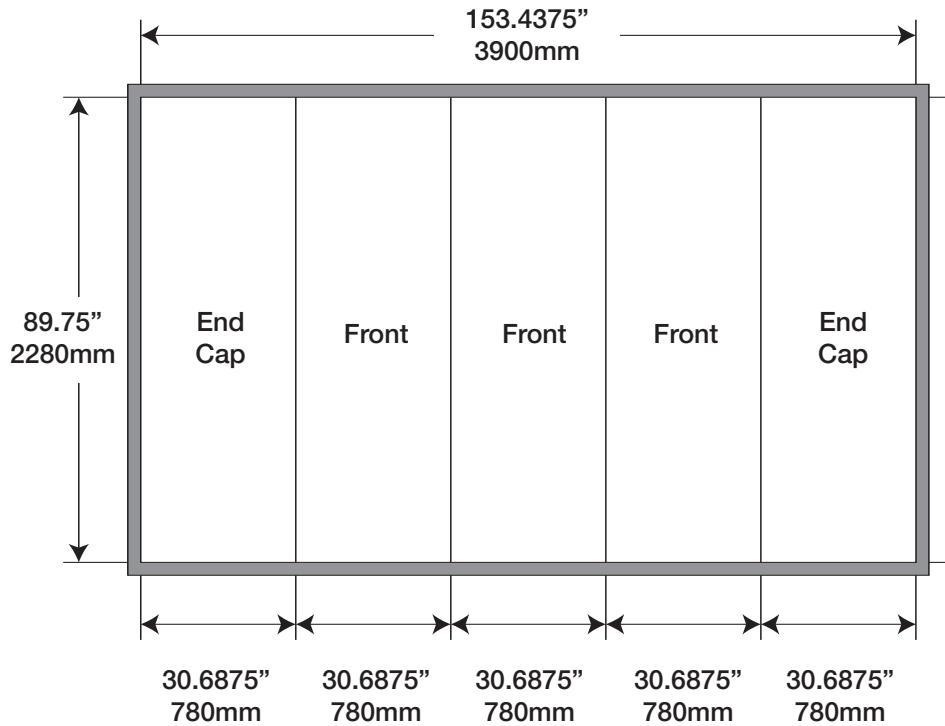


Gateway Kit

Plus Configuration



Minimum Document Size*

(with Bleed)

Width: 155.4375" x Height: 91.75"
3951mm x 2331mm

(50% with Bleed)

Width: 77.71875" x Height: 45.875"
1975mm x 1166mm

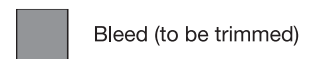
(25% with Bleed)

Width: 38.859375" x Height: 22.9375"
988mm x 583mm

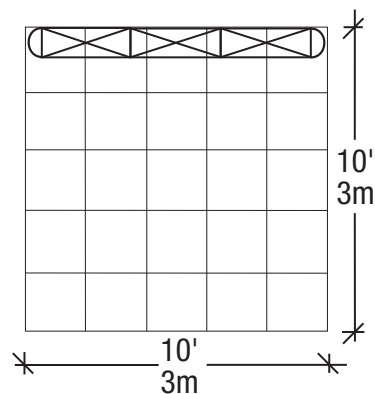
Finished Size

Width: 153.4375" x Height: 89.75"
3900mm x 2280mm

*Your document size should encompass the crops and bleed area.



FLOOR PLAN



ELEVATION

