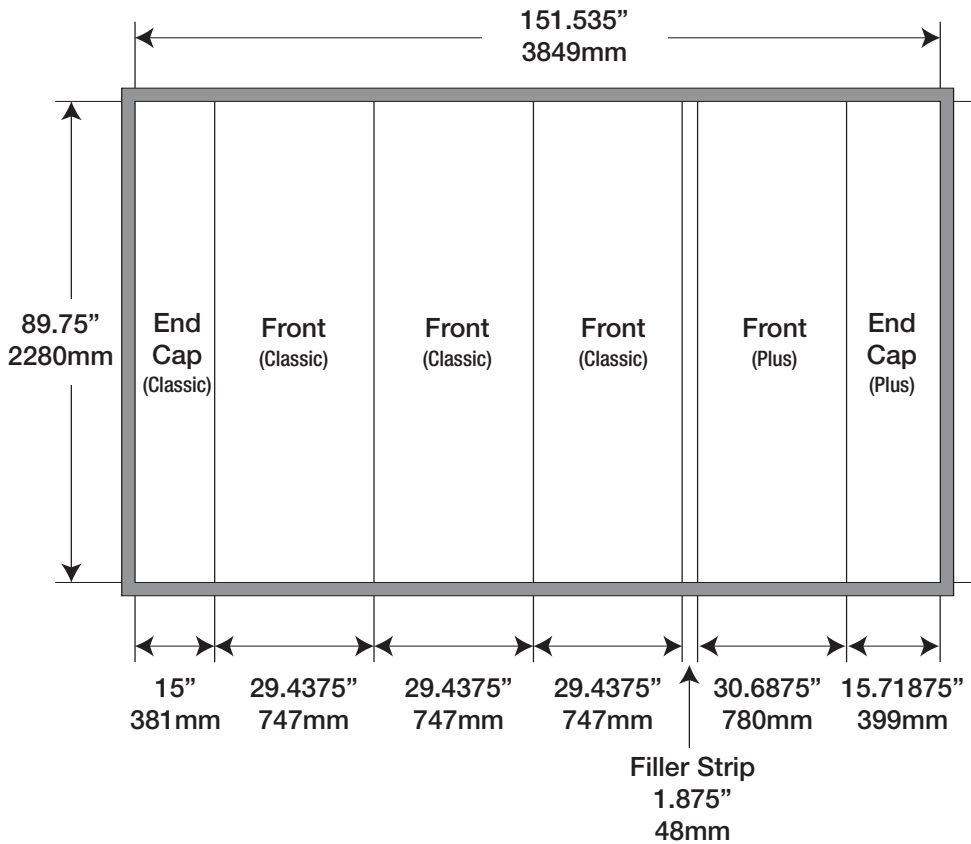


## Chiron Kit

## Integrated Configuration



### Minimum Document Size\*

(with Bleed)

Width: 153.535" x Height: 91.75"  
3900mm x 2331mm

(50% with Bleed)

Width: 76.7675" x Height: 45.875"  
1950mm x 1166mm

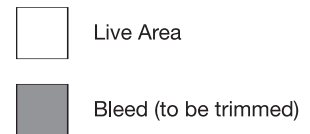
(25% with Bleed)

Width: 38.38375" x Height: 22.9375"  
975mm x 583mm

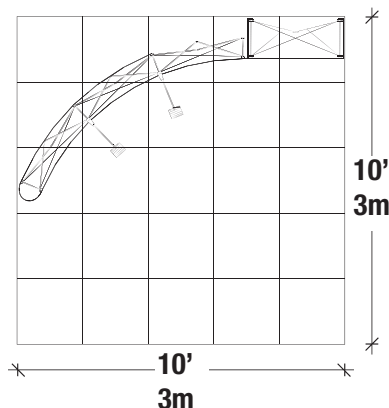
### Finished Size

Width: 151.535" x Height: 89.75"  
3849mm x 2280mm

\*Your document size should encompass the crops and bleed area.



FLOOR PLAN



ELEVATION

