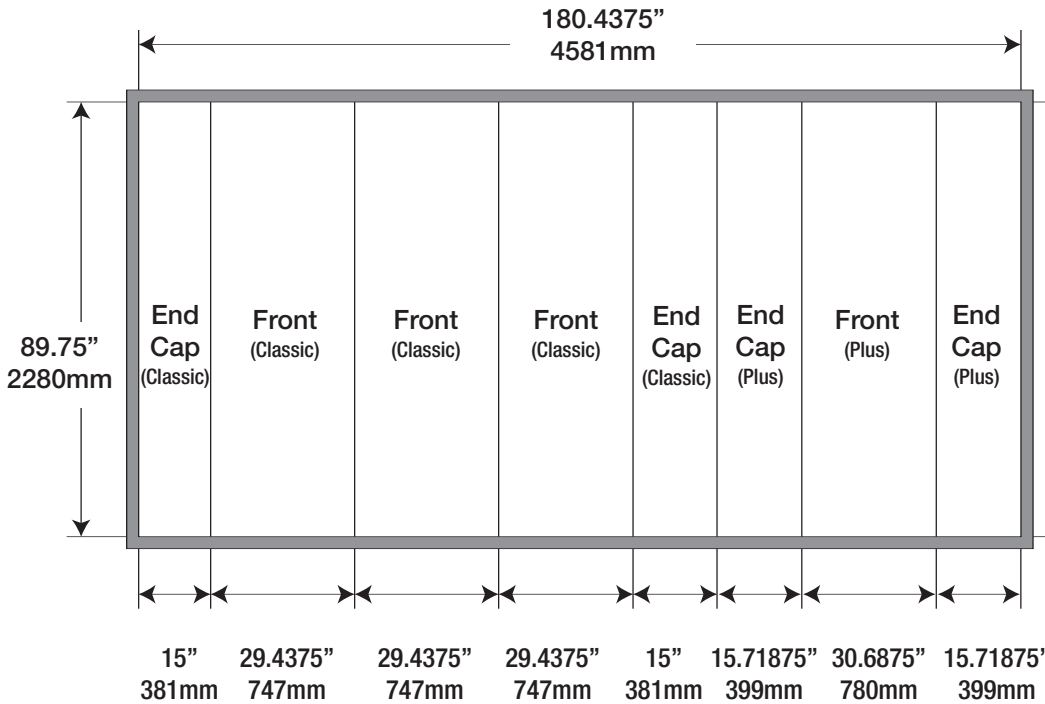


## Chiron Kit A

## Integrated Configuration



### Minimum Document Size\*

(with Bleed)  
Width: 182.4375" x Height: 91.75"  
4632mm x 2331mm

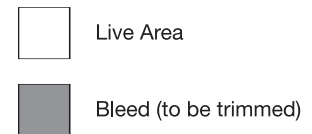
(50% with Bleed)  
Width: 91.21875" x Height: 45.875"  
2316mm x 1166mm

(25% with Bleed)  
Width: 45.6094" x Height: 22.9375"  
1158mm x 583mm

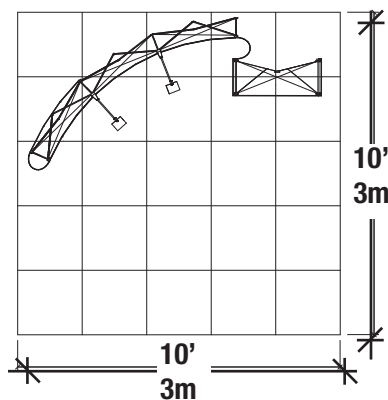
### Finished Size

Width: 180.4375" x Height: 89.75"  
4581mm x 2280mm

\*Your document size should encompass the crops and bleed area.



**FLOOR PLAN**



**ELEVATION**

